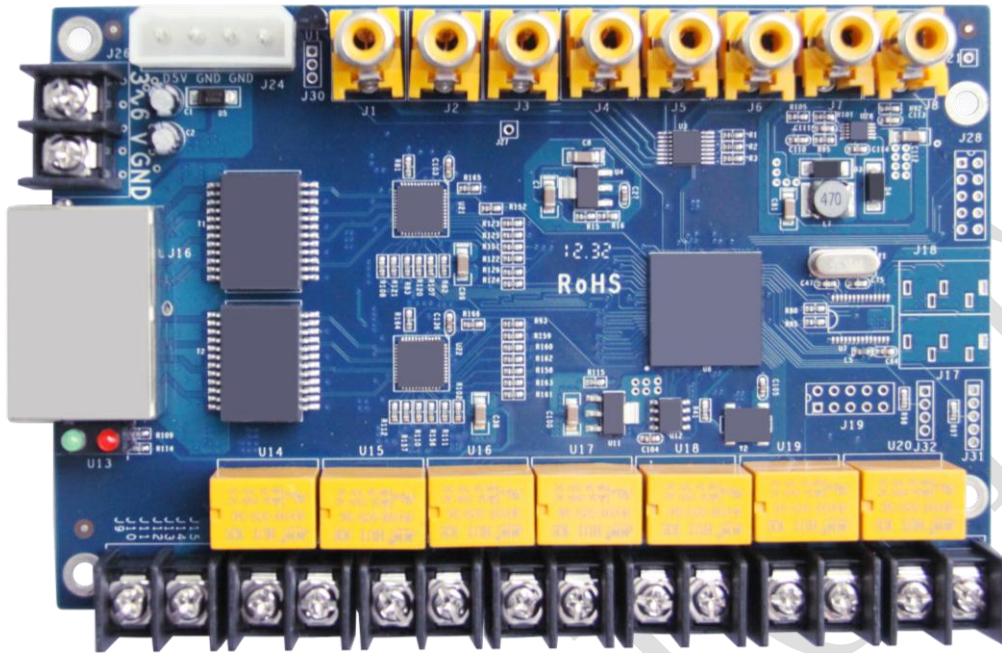
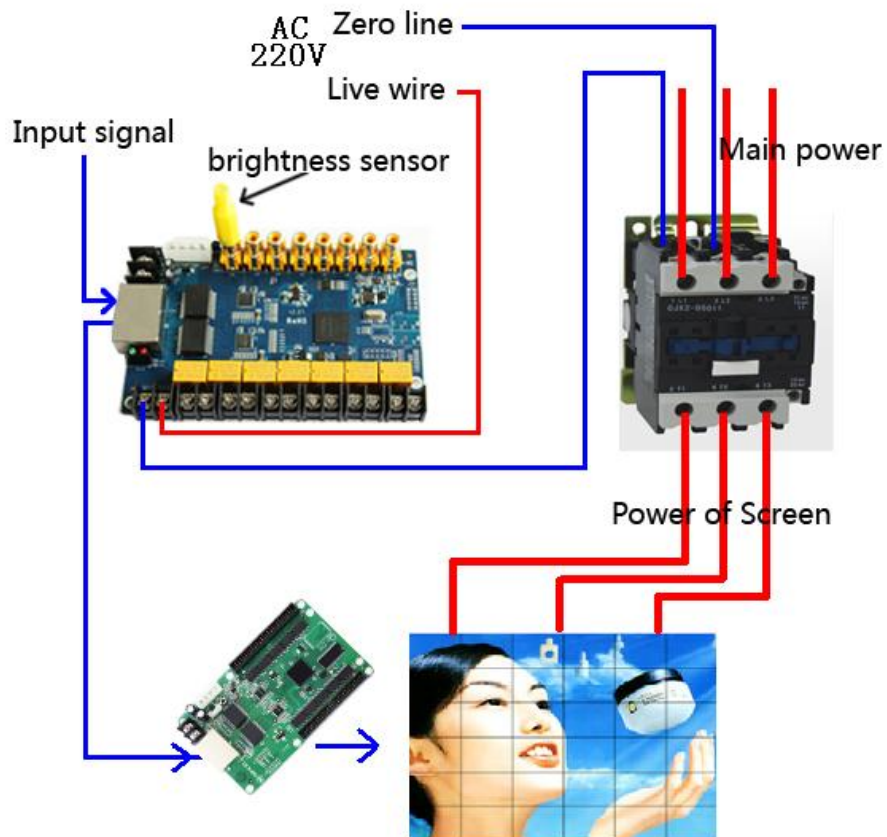


Operation of Multifunction card--M9



i. Remote power control

1. Hardware connection



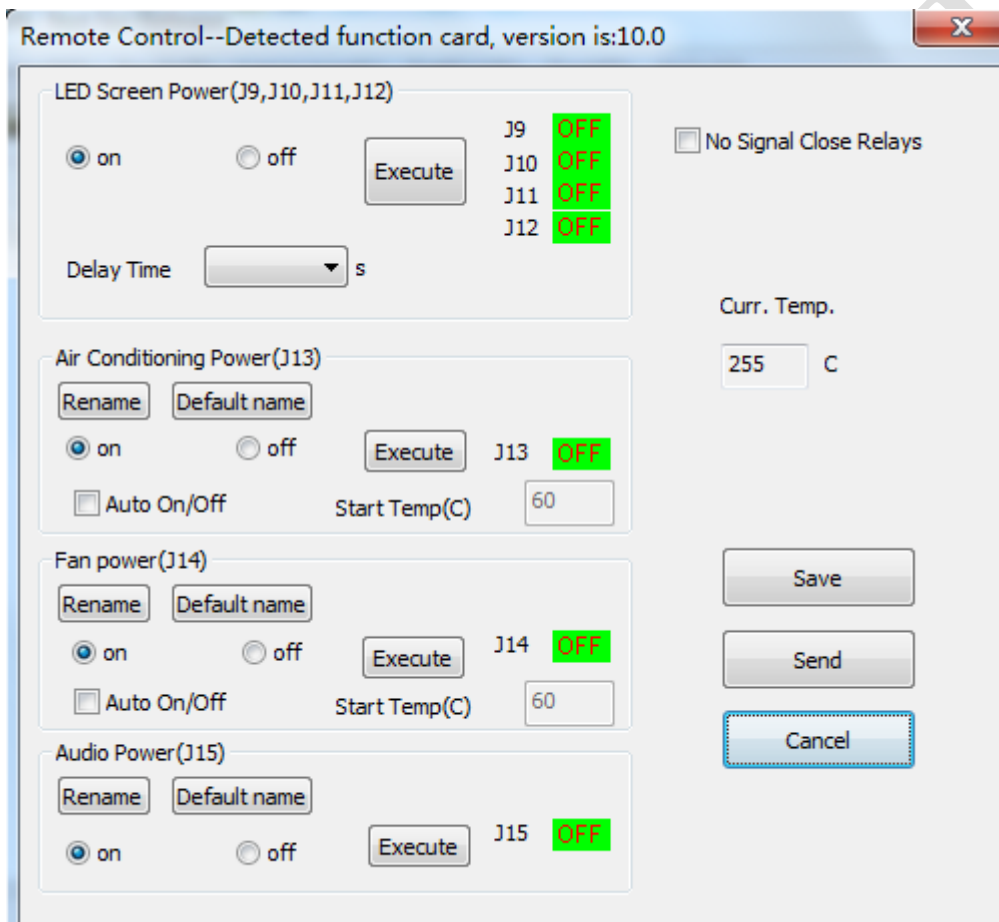
Multifunction card is connected between receiving card and sending card (NIC). J9-J15 are the control interface of relay switch, they control the main power of screen throw the AC contactor.

Notice: Do not connect both the live wire and zero line to the multifunction card!

J9~J12 are controlled by one switch on software, J13/J14/J15 should be controlled independent. You should connect them when needed.

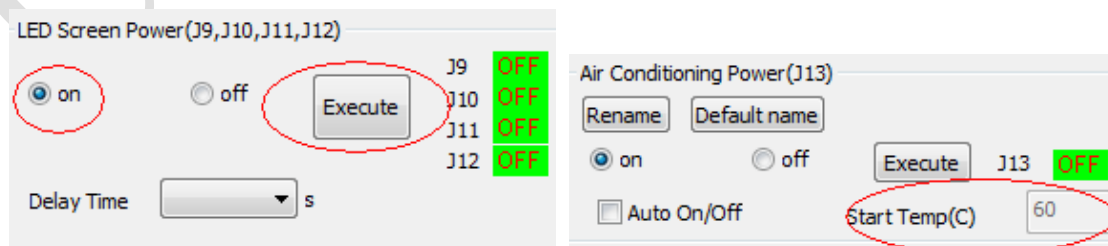
2. Operation on software

Open software,[Setting]—[Remote Control],interface will show as below.



When you want to turn on the switch throw J9~J12/J13/J14/15,select [on] and click [Execute]. Select [off] and execute, the switch will be off.

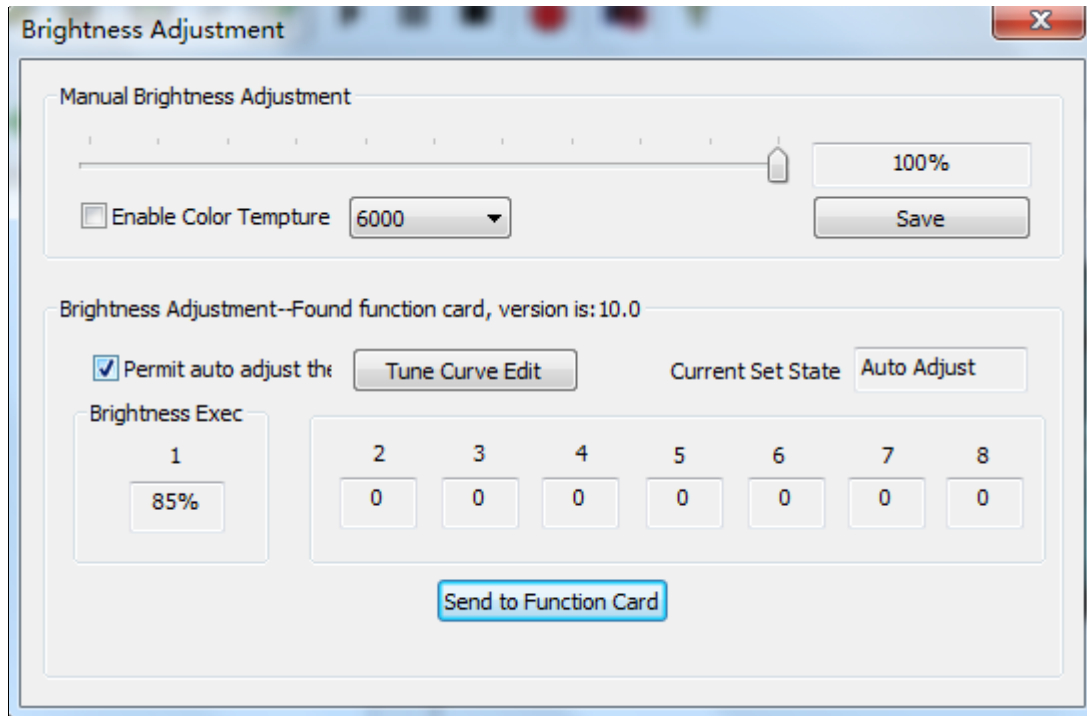
Select [No Signal Close Relays],the relays will be controlled by the input signal on and off.



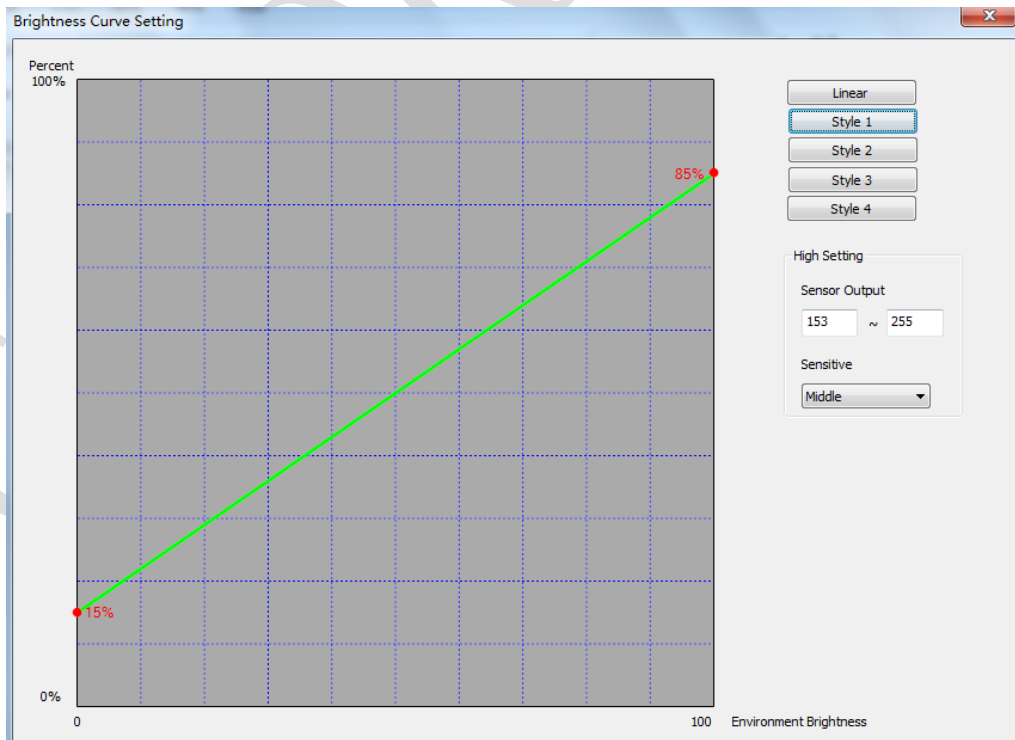
J9~J12 are controlled at the same time, J13 and J14 should be controlled throw temperature.

ii. Brightness adjustment

Multifunction card has brightness adjustment function, the brightness sensor connect to J1. Open [Setting]—[Brightness Adjustment] on software.



After select [Permit auto adjust], and send to function card, the function card will adjust the brightness of LED screen throw the data got from brightness sensor. The number in [Brightness Executed] is the current brightness level of Led screen.



The maximum and minimum brightness should be set according to the needs.

iii. **Sound Transmission**(Customize)

It must work with sending card T7(audio), the audio interface must be added on function card and sending card. Audio signal input on sending card and output on function card.

COLORLIGHT